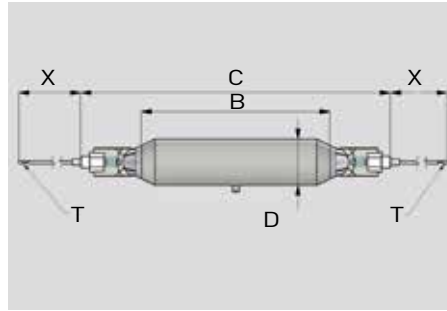
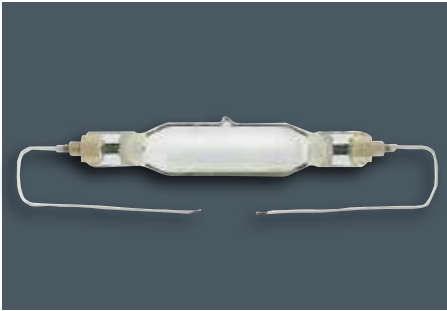


## Products

## HPM products



## Pinch Seal

12NC	Type #	Watt W	Volt V	Lamp Cur- rent A	Diazo <sup>(*)</sup> irrad. at 0h $\mu\text{W}/\text{cm}^2$	Arc length mm (B)	Total length mm (C)	Bulb diame- ter mm (D)	Base	Cables +/-5 mm (X)	Terminal (T)	Qty Box pc
9280 723 05102	HPM 15	1,950	245	9.0	4,100	131	203	33	8	295/295	stripped end	4
9280 724 05138	HPM 16	2,000	245	8.7	4,600	113	220	30	X-CLIP	-	-	4
9280 727 05102	HPM 17	2,000	243	8.7	4,600	113	175	30	8	320/320	stripped end	4
9280 728 05102	HPM 15	1,950	245	9.0	4,100	131	203	33	8	320/320	stripped end	4
9280 729 05102	HPM 12	460	120	4.1	800	44	98	22	8	315/315	stripped end	4
9280 744 05102	HPM 13	1,000	125	8.6	2,000	83	147	30	8	145/145	stripped end	4
9280 792 06002	HPM 25/C	5,000	245	23.0	12,000	186	276	30	12	190/190	stripped end	4
9280 794 06002	HPM 4010 (HPM30)	4,000	310	13.5	10,500	117	204	33	11	190/190	stripped end	4
9280 807 06002	HPM 4020	4,000	400	11.5	11,500	162	249	30	11	120/120	straight faston	4
9280 813 06002	HPM 3000	3,350	400	9.0	9,000	105	191	30	11	125/125	straight faston	4

(\*) UV irradiation measured perpendicular to lamp axis at 1 m distance with a relative spectral sensitivity according to IEC. Diazo is the wavelength range between 320-440 nm.

## Shrink Seal

12NC	Type #	Retrofit lamp	Watt W	Volt V	Lamp Cur- rent A	Arc length mm (B)	Total Length mm (C)	Bulb diame- ter mm (D)	Base	Cables +/-5 mm (X)	Terminal (T)
UV-1214-20	HPM 140/120-S	Bayer -KB1841 1400 Ga	16,800	1,520	12.8	1,400	1,535	22.0	18	300/300	eyelet 5mm
UV-1221-10	HPM 142/100-S	UV-Technik - UVH-14222 G-1	14,200	1,900	8.3	1,420	1,575	22.5	19	600/2280	stripped end

