

# Technical Information

No. 5580

Edition: 10/12

Substitutes: 03/12

Status: valid



# Xenon Short Arc Lamp

# XBO® 2000 W/HTP XL OFR

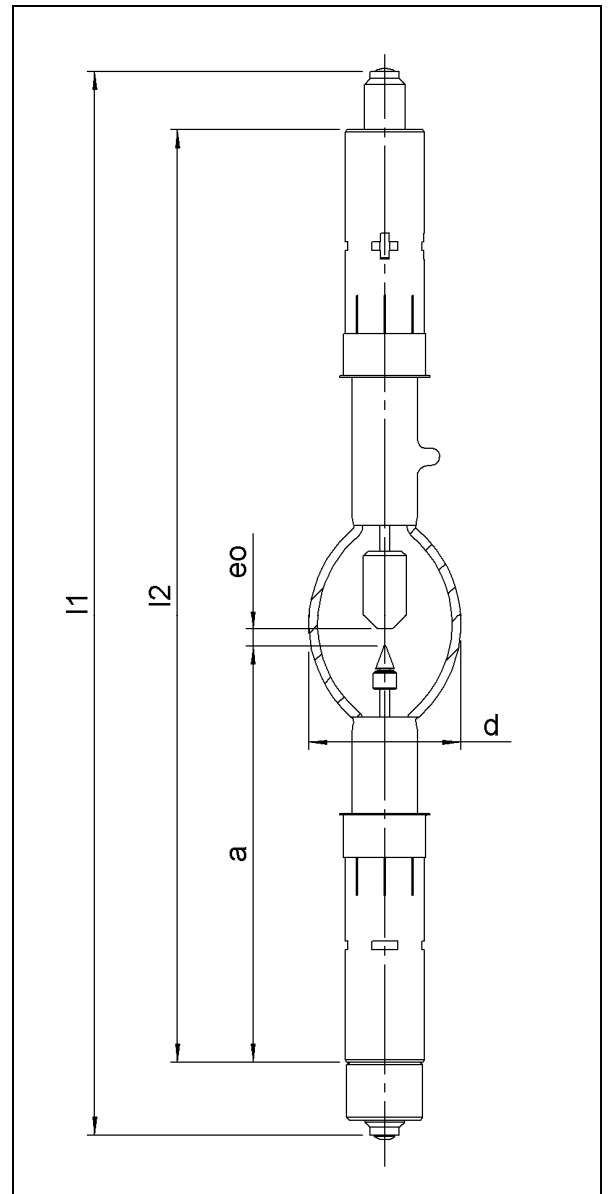
## ■ Product description

The OSRAM XBO® 2000 W/HTP XL OFR is a DC-operated lamp, developed with the latest high brightness technology for XBO lamps. The XL lamps, which stands for Xtreme life, are strictly optimized on performance and have an increased warranty up to 50%.

## ■ Technical data

Order reference	XBO® 2000 W/HTP XL OFR	
Maximal lamp wattage	W	2000
Rated lamp voltage	V	28
Rated lamp current (=)	A	70
Current control range	A	50 - 85
Ignition voltage	kV <sub>p</sub>	33
Min. open circuit voltage for cold / hot ignition	V	75 / 100
Luminous flux	lm	80000
Luminous intensity	cd	7500
Average luminance	cd/cm <sup>2</sup>	75000
Luminous area w x h <sup>1)</sup>	mm	1.3 x 4.8
Electrode gap e <sub>0</sub> (cold)	mm	5.8
Lamp length (overall) L <sub>1</sub>	mm	max. 375
Lamp length L <sub>2</sub>	mm	max. 322
Cable length L <sub>3</sub>	mm	max. ---
LCL a	mm	142,5
Bulb diameter d	mm	52
Warranty	h	3500
Base	Cathode	SFc 25-14
	Anode	SFa 25-14

<sup>1)</sup> w = luminance half width value; h = height of luminance area (corresponds to electrode gap, hot)



## ■ Lamp operation

Maximum permissible base temperature	°C	230
Cooling	forced cooling / fan	
Min. air flow velocity around discharge vessel	m/s	4
Magnetic arc stabilization	required in horizontal burning position	
Burning position	S 30 (vertical ± 30° ; anode up) ; p 30 (horizontal ± 30°)	

Detailed electrical lamp operation is described in our Guidelines for Power Supplies and Igniters, no. DO GL- 5580