



# MASTERColour CDM-R111

MASTERColour CDM-R111 70W/830 GX8.5 40D 1CT

The MASTER Colour CDM-R111 combines the trendy look of the 111mm aluminium reflector halogen lamps with the long life, high energy efficiency and crisp white light of MASTER Colour CDM

## Product data

### • General Characteristics

Cap-Base	GX8.5
Bulb	R111 [R 111mm]
Bulb Finish	Reflector
Burning Position	any [Any/Universal]
Life to 5% failures EL	4000 hr
Life to 10% failures EL	5000 hr
Life to 20% failures EL	7500 hr
Life to 50% failures EL	12000 hr

### • Light Technical Characteristics

Beam Description	Flood [Flood]
Beam Angle	40 D
Technical Beam Angle	27 (min), 36 (nom), 45 (max) D
Luminous Intensity	8000 cd
Colour Code	830 [CCT of 3000K]
Colour Rendering Index	85 Ra8
Colour Designation	Warm white
Colour Temperature	3000 K
Colour Temperature Technical	2800 K
Lamp Luminous Flux EL	2850 Lm
LLMF - end nominal lifetime	50 %
Chromaticity Coordinate X	0.444 -
Chromaticity Coordinate Y	0.394 -
Luminous flux in 90° cone	2800 Lm

### • Electrical Characteristics

System Power EL	83 W
Lamp Wattage	70 W
Lamp Wattage EL	70 W
Lamp Wattage EL 25°C, Rated	73.0 W
Lamp Voltage	83 V
Lamp Current EL	0.88 A
Ignition Time	30 (max) s
Run-up time 90%	3 (max) min
Re-ignition Time [min]	15 (max) min
Dimmable	no
Warm-up Time to 60% Light Outp	120 s

### • Environmental Characteristics

Energy Efficiency Label (EEL)	B
Mercury (Hg) Content	7.5 mg
Energy consumption kWh/1000h	80 kWh

### • UV-related Characteristics

Damage Factor D/fc PET (NIOSH)	0.3 (max) - 8 (min) h500lx
--------------------------------	----------------------------

### • Measuring Conditions

Switching cycle	1050X
-----------------	-------



asimpleswitch.com

# PHILIPS

# MASTERColour CDM-R111

## • Product Dimensions

Overall Length C	95 (max) mm
Diameter D	111 (max) mm
Overall Length C [inch]	3.6 (max) in

## • Product Data

Order code	207234 10
Full product code	871150020723410
Full product name	MASTERColour CDM-R111 70W/830 GX8.5 40D 1CT
Order product name	MASTERC CDM-R111 70W/830 GX8.5 40D 1CT

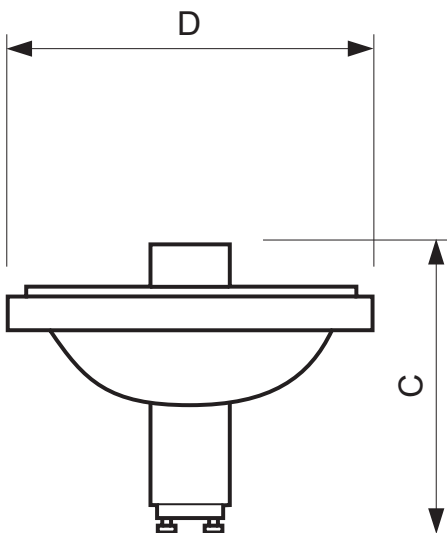
Pieces per pack	1
Packing configuration	6
Packs per outerbox	6
Bar code on pack - EAN1	8711500207234
Bar code on outerbox - EAN3	8711500207241
Logistic code(s) - 12NC	928091505330
ILCOS code	MRS/UB-70/830-H-GX8.5-111/88/40
Net weight per piece	0.096 kg

## Warnings and Safety

- Control gear must include end-of-life protection (IEC61167, IEC 62035)
- Use only with electronic control gear. 35W/830 lamps may also use electromagnetic gear.

- A lamp breaking is extremely unlikely to have any impact on your health. If a lamp breaks, ventilate the room for 30 minutes and remove the parts, preferably with gloves. Put them in a sealed plastic bag and take it to your local waste facilities for recycling. Do not use a vacuum cleaner.

## Dimensional drawing

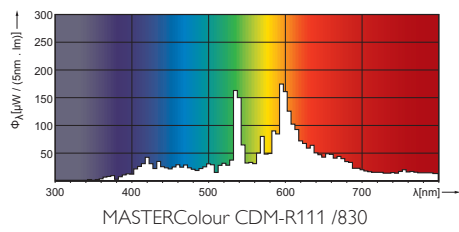


GX8.5

## MASTERColour CDM-R111 70W/830 GX8.5 40D 1CT

Product	C (Max)	D (Max)
CDM-R111 70W/830 40D	95	111

## Photometric data



© 2014 Koninklijke Philips N.V. (Royal Philips)  
All rights reserved.

Specifications are subject to change without notice. Trademarks are the property of Koninklijke Philips N.V. (Royal Philips) or their respective owners.

[www.philips.com/lighting](http://www.philips.com/lighting)

2014, November 30  
data subject to change